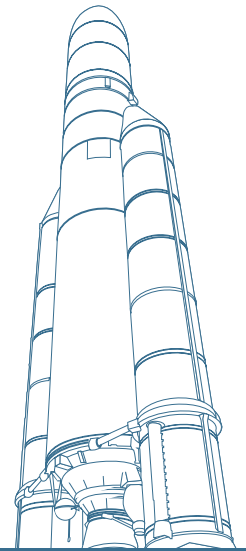


M10 HOLD DOWN AND RELEASE MECHANISM

P/N ME0032



Hold down and Release Mechanism designed and qualified for use on a launcher dispenser

SPECIFICATIONS

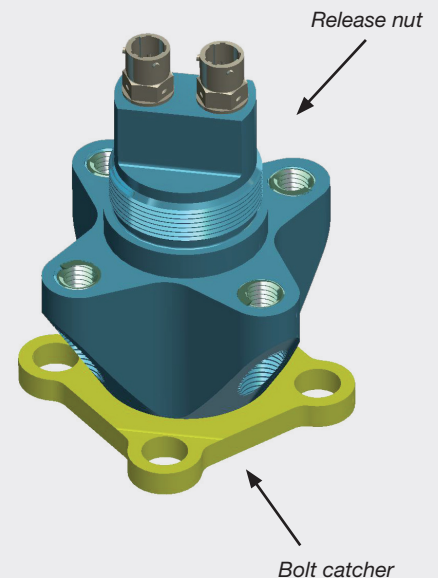
- **Application:** To maintain a preload bolt that attaches separate components, and release it on electrical command
- **Combined load capability:** Longitudinal load: +/- 7600 N
Transverse load: 11,200 N
- **Nut and bolt size:** ISO M10 x 1.25
- **Operating time:** ≤ 10 ms
- **Leak rate:** 10^{-4} scc/sec
- **Redundancy:** 2 initiators
- **Reliability:** > 0.9999 with 95% confidence level
- **Initiator:** 2 redundant NSI

MECHANICAL CHARACTERISTICS OF RELEASE NUT

- **Mass:** ≤ 534 g
- **Housing material:** Aluminum alloy
- **Nut material:** Stainless steel (15-5-PH)
- **Fixing mode:** 4 x ISO M10 x 1.5 thread inserts

MECHANICAL CHARACTERISTICS OF BOLT CATCHER ASSEMBLY

- **Mass:** ≤ 250 g
- **Housing material:** Stainless steel
- **Bolt material:** Titanium alloy (TA6V)
- **Fixing mode:** 4 holes Ø 12.5 mm



PYROALLIANCE

M10 HOLD DOWN AND RELEASE MECHANISM

P/N ME0032

RECOMMENDED STORAGE CONDITIONS

Storage temperature: +10°C up
to +30°C

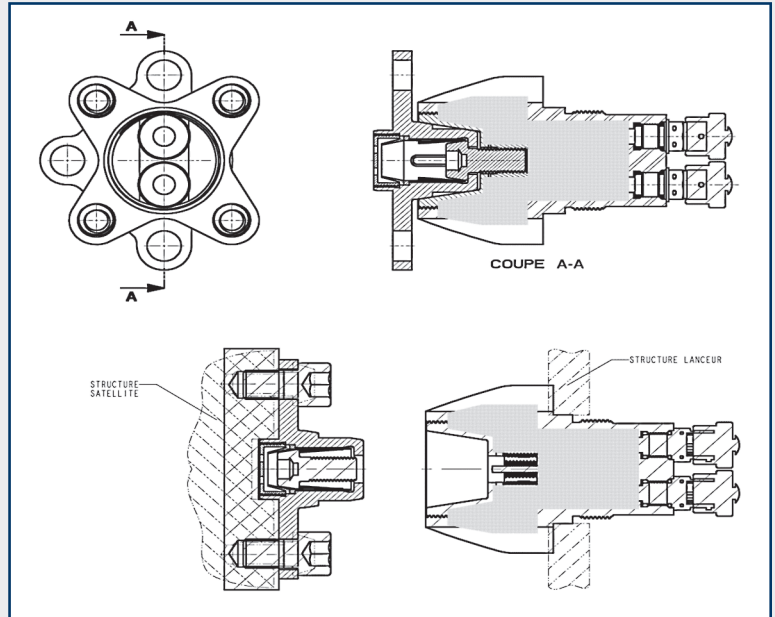
Humidity: ≤ 60%

Storage lifetime: 5 years

Explosive class: 1.4 S

UNO N°: 0173

UNO designation: .. Release devices,
explosives



ELECTRICAL CHARACTERISTICS

Connection: MS 3116 E8-2S

Bridgewire resistance: $1.05 \pm 0.1 \Omega$

Insulation resistance: $> 100 \text{ M}\Omega / 250 \text{ V DC}$

"No fire" current: 1A / 1W / 5 min

"No fire" current test: $< 50 \text{ mA}$

"All fire" current: 3.1 A

Nominal firing current: $\geq 5 \text{ A}$ during 10ms

ENVIRONMENT

Acceleration: 40 g - each axis,
each direction

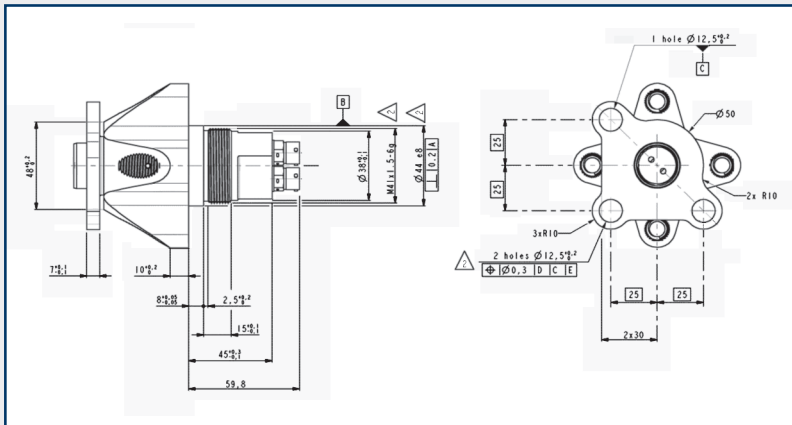
Shock: 1/2 sinus: 100g
5 msec each axis, each direction

Sinusoidal vibration: 2 oct./min. - 1 sweep
5 - 25 Hz : $\pm 19 \text{ mm}$
25 - 62 Hz : 1.5 m/s
62 - 600 Hz : 60 g
600 - 2000 Hz : 30 g

Random vibration: all axes
20 - 50 Hz : + 3 dB/oct
50 - 250 Hz : 2 g^2/Hz
250 - 1300 Hz : - 6 dB/oct
1300 - 2000 Hz : 0.07 g^2/Hz
Global: 29.6 g RMS

Thermal shock: 6 cycles -90°C
up to +120°C

Operating temperature: -50°C to +50°C



Site des Mureaux

139 route de Verneuil - BP 2052
78130 LES MUREAUX Cedex France
Tél. 33 (0)1 34 92 44 44 - Fax 33 (0)1 34 74 30 93

Site de Toulon

Chemin Charles Battezzati - Quartier Lagoubran - BP 2148
83063 TOULON Cedex France
Tél. 33 (0)4 94 22 86 86 - Fax 33 (0)4 94 22 86 99

CONTACT US: corinne.gauthier@herakles.com - LEARN MORE: www.pyroalliance.com

